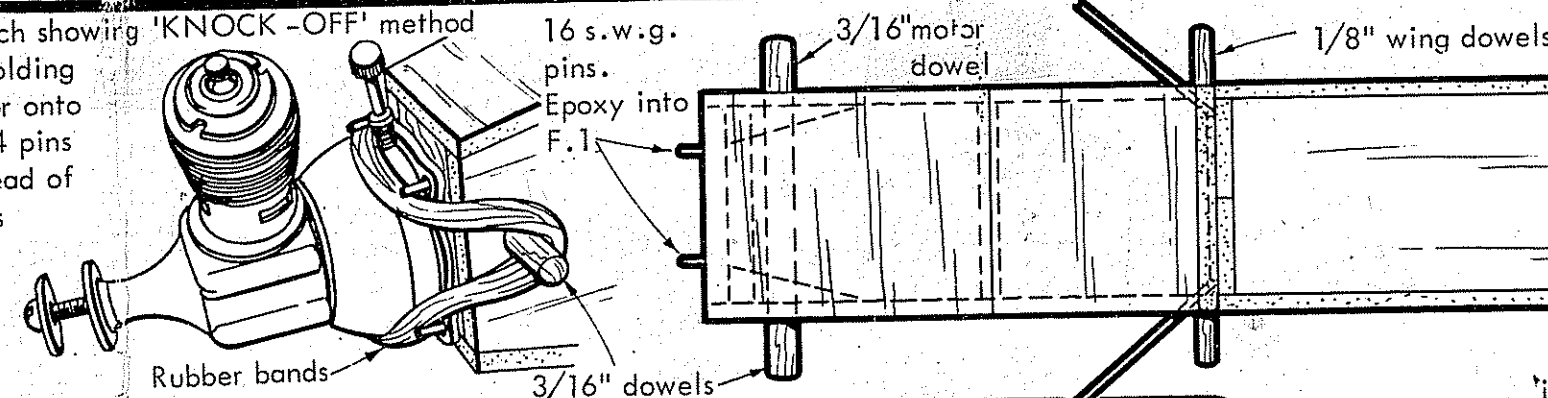


HUMBUG

A 30" WINGSPAN ALL-SHEET BALSA SPORTS POWER MODEL FOR SMALL ENGINES (.020)
DESIGNED BY A.W. "SANDY" BENNIE
(EAST LONDON SOUTH AFRICA)

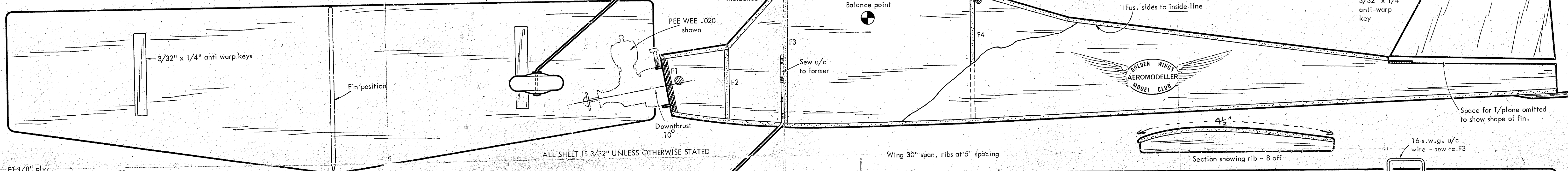
PLAN VALUE
3 1/6

Sketch showing 'KNOCK-OFF' method of holding motor onto the 4 pins instead of bolts



Published in "Aeromodeller", February 1968

Copyright: Model Aeronautical Press Ltd., 13-35 Bridge Street, Hemel Hempstead, Herts, England



ALL SHEET IS 3/32" UNLESS OTHERWISE STATED

Wing 30" span, ribs at 5" spacing

Section showing rib - 8 off

16 s.w.g. u/c wire - sew to F3

F1-1/8" ply spacing for COX PEEWEE

